



# Condor PD 24 280



## SPECIFICATIONS

GVM*	23,500 kg	Torque	883 Nm @ 1,400 rpm
GCM	28,000 kg	Transmission	Eaton 9 speed manual Allison 6 speed automatic
Power	206 kW @ 2,500 rpm	Suspension	Hendrickson Airbag

## FEATURES

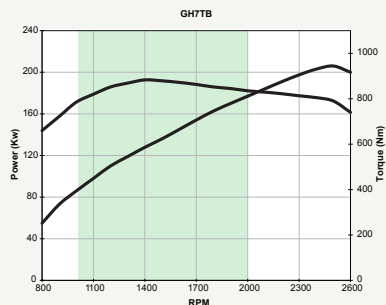
ECE-R29 Cab Strength Compliant	Easy Hill Start (EHS) - manual models only
Drivers SRS airbag and seat belt pretensioner	Multi adjustable air suspended driver seat
WABCO ABS (Anti-lock Braking System)	Cruise control
Allison Generation 5 Automatic transmission	Touch screen multimedia with SD, USB, CD, DVD, 3.5mm inputs
ADR84/00 (ECE-R93) integrated Front Underrun Protection (FUPS)	ADR42 compliant sleeper cab and mattress
Fleet Max Plus telematics system	Heated and electronically operated external mirrors

## SAFETY

ECE-R29 Cab strength compliant  
 ADR84/00 (ECE-R93) integrated Front Underrun Protection (FUPS)  
 SRS drivers airbag with seat belt pretensioner  
 WABCO ABS (Anti-lock Braking System)  
 Electrically operated and heated mirrors  
 360° visibility with up to 4 optional cameras

## ENGINE

Make UD Trucks  
 Model GH7TB  
 Description 4 cycle, direct injection, diesel engine with overhead cam, 4 valves per cylinder, water cooled and intercooler with variable turbocharging system.  
 Cylinders 6 in-line  
 Total piston displacement 7,013 cc (7 litres)  
 Bore x stroke 110 mm x 123 mm  
 Compression ratio 17.5:1  
 Max. Power (ECE Net) 206 kW (280 ps) @ 2,500 rpm  
 Max. Power (JIS Gross est.) 214 kW (291 ps) @ 2,500 rpm  
 Max. Torque (ECE Net) 883 Nm (651 lb/ft) @ 1,400 rpm  
 Max. Torque (JIS Gross est.) 917 Nm (676 lb/ft) @ 1,400 rpm  
 Max. governed engine speed 2,600 rpm



Lubrication system Forced oil feed by gear pump, flat tube oil cooler, full flow and bi-pass oil filters with replaceable elements and 17 litre capacity  
 Compressed air system Water cooled reciprocating type, single cylinder air compressor with air dryer  
 Cooling System Forced feed by centrifugal water pump, wax pellet type thermostat with bypass. Aluminium corrugated fin type radiator with cab front bonnet mounted reserve tank and a 600 mm diameter 11 blade viscous coupling cooling fan

## FUEL AND INTAKE SYSTEM

Injection type Ultra high pressure common rail injection system  
 Filtration Chassis mounted primary and engine mounted secondary  
 Capacity 2x 200 litre steel tank with lockable cap on LHS chassis  
 Air filtration Primary dry paper element air filter on RHS under cab  
 Air intake High mounted RHS air intake

## EXHAUST AND EMISSION CONTROL

Emission standard ADR80/03 (Euro 5 emission standard)  
 Emission system Selective Catalytic Reduction (SCR)  
 AdBlue® capacity 50 litre polymer tank with lockable cap mounted on LHS  
 Exhaust system RHS chassis mounted muffler/catalytic converter with horizontal rear facing exhaust discharge

## ELECTRICAL

Power 24 volt, negative ground system  
 Battery capacity 2 x 12 volt 120 Ah batteries mounted on LHS chassis  
 Alternator 110 amp with built in IC regulator

## CLUTCH (manual models only)

Make UD Trucks  
 Description Dry single organic plate with push type diaphragm  
 Disc diameter 380 mm  
 Mechanism Hydraulically operated with air assistance

## TORQUE CONVERTER (automatic models only)

Make Allison  
 Model TC 415  
 Description One stage, three element, polyphase. Includes standard integral damper with lock-up function  
 Stall torque ratio 2.35:1

## TRANSMISSION/S

### 9 SPEED MANUAL

Make Eaton  
 Model ES11109  
 Description Nine forward synchromesh speeds and one non-syncho reverse  
 Shift type Mechanically remote control operated shift  
 Gear ratios  

<b>1st</b>	12.64	<b>4th</b>	4.77	<b>7th</b>	1.85
<b>2nd</b>	8.81	<b>5th</b>	3.55	<b>8th</b>	1.34
<b>3rd</b>	6.55	<b>6th</b>	2.48	<b>9th</b>	1.00
<b>Rev</b>	13.21				

 PTO capability Two LHS and one rear openings available

### 6 SPEED AUTOMATIC

Make Allison Generation 5  
 Model 3060P  
 Description Six forward speeds and one reverse. Fully automatic Allison Gen5 adaptive shift with power and EcoFleet modes  
 Shift type Electronic push button controller  
 Gear ratios  

<b>1st</b>	3.49	<b>4th</b>	1.00	<b>Rev</b>	5.03
<b>2nd</b>	1.86	<b>5th</b>	0.75		
<b>3rd</b>	1.41	<b>6th</b>	0.65		

 PTO capability Flywheel type drive with LHS and RHS openings 660 Nm using one opening, or 930 Nm total using both openings  
 Electronic Brake Interface (EBI) Transmission assisted engine braking effort when exhaust brake is activated

## FRONT AXLE AND SUSPENSION SYSTEM

Axle make UD Trucks  
 Description Drop forged steel "I" section beam, "ELLIOT" type  
 Suspension Long taper leaf spring with anchor at front and shackle at rear  
 Dimensions (mm) 80 mm x 1,400 mm  
 Number of leaves 3  
 Spring constant 343 N/mm (35.0 kg/mm)  
 Shock absorbers 2 telescopic double acting  
 Max. ground capacity Refer to the **Load Capacity Summary**

## REAR AXLE AND SUSPENSION SYSTEM

Axle make UD Trucks  
 Type Fully floating pressed steel banjo type housing with single drive  
 Gear type Single reduction, hypoid gear  
 Final reduction ratio 6 speed automatic - 6.166:1  
 9 speed manual - 4.333:1  
 Lazy Axle UD Trucks  
 Type Full floating pressed steel tube axle 127 x 150 mm

## AIR SUSPENSION

Description Hendrickson HAS460 - Road Friendly compliant  
 Air spring diameter 320 mm  
 Number of springs 4 airbags  
 Spring constant 125 N/mm (12.8 kg/mm)  
 Shock absorbers 2 telescopic double acting  
 Road Friendly Certification Number (RFCN) RF2005  
 Control system WABCO ECAS (Electronic Controlled Air Suspension) with programmable remote control in cab  
 Max. ground capacity Refer to the **Load Capacity Summary**

## LOAD CAPACITY SUMMARY

	Front (kg)	Rear (kg)
Axle	6,500	23,000
Steering/suspension	6,500	18,000
Tyres	7,100	23,200
<b>Max. ground capacity*</b>	<b>6,500</b>	<b>18,000</b>

## BRAKES

Type	WABCO ABS (Anti-lock Braking System)		
Description	Full air brake, dual line system, with aluminium air tanks, automatic adjusting taper roller drum brakes, 4 channel ABS		
Air pressure	7.2 - 8.5 kg/cm <sup>2</sup>		
	<b>Front</b>	<b>Rear</b>	<b>Total</b>
Drum diameter	410 mm	410 mm	
Lining area	2,480 cm <sup>2</sup>	3,648 cm <sup>2</sup>	6,128 cm <sup>2</sup>
Park brakes	Hand operated pneumatically controlled spring park brake on drive axle		
Auxiliary brake	Butterfly type exhaust brake		

## STEERING

Type	Recirculating ball and screw with hydraulic assist
Steering gear ratio	22.42:1
Column	Adjustable, tilt and telescopic control
Steering wheel	460 mm diameter with ignition key steering lock

## WHEELS AND TYRES

Wheels	Pressed steel disc type 8.25" x 22.5" rim with 165 mm offset - ISO 10 stud pattern (335 mm PCD)
Front tyres	Single 295/80R 22.5" Dunlop SP350, regroovable
Rear tyres	Dual 11R 22.5" Dunlop SP343, regroovable
Spare tyre	Single 295/80R 22.5" Dunlop SP350, regroovable mounted on Spare Tyre Carrier at rear of chassis

## FRAME

Construction	Ladder, channel type double skin chassis construction		
Width	860 mm		
Side rail dimensions	250 mm x 80 mm x 8 mm + 234 mm x 72 mm x 6 mm		
Material	Pressed high tensile carbon steel		
Rail data	<b>Tensile</b>	<b>Yield</b>	<b>Modulus</b>
	55 kg/mm <sup>2</sup>	38 kg/mm <sup>2</sup>	Refer to Body Manual <a href="http://udtrucks.com.au">udtrucks.com.au</a>

## STANDARD DRIVER AIDS

Safety equipment	ECE-R29 Cab strength compliant ADR84/00 (ECE-R93) Front Underrun Protection System compliance (FUPS) SRS driver steering wheel airbag SRS driver seat belt pretensioner ABS – Anti-lock Brake System
Instrumentation	Fully electronic, CAN-BUS instrument system including speedometer, tachometer (with economical green driving band), fuel, temperature, AdBlue® level and independent front and rear air circuit pressure gauges. Digital odometer display with dual trip function
Warning systems	Up to 22 visual warning lamps plus up to 38 different written warnings displayed on the LCD screen. In conjunction 13 audible tones are used
Driver assistance	Driver's Information System (DIS) displaying useful vehicle data including: date/time, engine temperature oil pressure, voltmeter, trip information, along with service intervals for engine, transmission, differentials, belts and air filter. Electronic stalk mounted cruise control. GPS satellite navigation with HEREMAPS "truck" mapping

## EXTERNAL CABIN

Description	Aerodynamically designed, forward control, pressed steel construction cab with 45° torsion bar cab tilt
Mounting type	Spring suspended cab with 2 dual acting shock absorbers
Crash test standard	ECE-R29 compliant
Cab paint	Standard – Jumping White (W33)
Doors	90° opening, steel construction with side intrusion beams
Inspection points	All daily inspections can be carried out without lifting the cab from the front opening inspection panel
Bumper type	2 piece pressed steel and fibre-glass air dam front bumper
Mirrors	Heated and electrically operated LH and RH main mirrors with wide vision spot mirrors and passenger side down facing spot mirror
Front view mirror	Left-hand side close-view spotter mirror
Lamps	Halogen multi-reflector head lamps ADR49/00 bumper mounted fog lamps ADR49/00 roof mounted clearance lights
Glass	Tinted front, side and rear
Wipers	Double arm, 2 speed wipers with intermittent operation and integrated washers
Reversing system	Rear facing reverse light and audible warning alarm, infra-red camera with microphone

## INTERNAL CABIN

Lighting	Single ON/OFF/DOOR interior lights with an independent 720 mm x 140 mm fluorescent lamp
Standard Seat Capacity	3 occupant seats - 2 outer seats with retractable 3 point seat belts, centre seat with adjustable lap belt
Driver seat	CVG multi-adjustable, air suspended with automatic height control and adjustable shock absorber
Passenger seat(s)	Flat folding LH assistant seat with lift up base Flat folding centre seat with back of seat storage
Sleeping capability	ADR42/04 compliant sleeper bunk with mattress (full cab curtains)
Side windows	Power operated door glass
Security	Remote keyless central locking
Air conditioning	Adjustable temperature control with multi-speed fan
Audio system	6.1" Touch Screen, Digital Radio DAB+, Inbuilt 32G Hard Drive, 4 Camera inputs incl. option for IR night vision and multiple component inputs, SD, USB, CD, DVD, 3.5mm 3-way speakers
Telematics	Fleet Max Plus CAN and GPS vehicle data reporting
Cup holders	2 centre mounted cup-holders RH and LH door mounted bottle-holders additional 2 back of centre seat cup holders
Storage	Driver and passenger overhead consoles (6 litres each) with lids 10 litre back of centre seat storage box with lid Driver and passenger door pockets
Power outlets	24 volt 240 W cigarette lighter/power outlet
Accessory fitment	Two DIN sized compartments for accessory fitment
Floor coverings	Vinyl

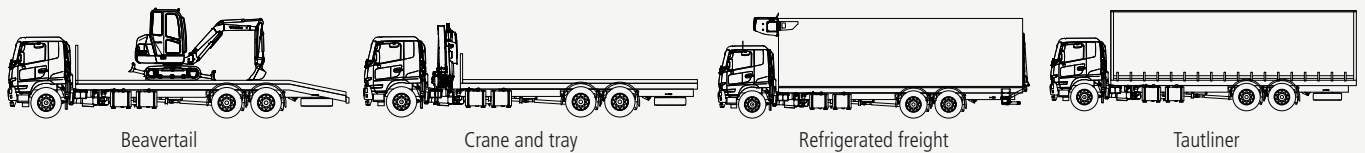
## FACTORY OPTIONAL EQUIPMENT (indent order)

Suspension	Multi-leaf front springs 294 Nm/mm (29.9 kg/mm)
Seating	Large centre console (replaces centre seat)
Engine/ PTO control	Electronic engine governor control with external control lever
Cab paint	Custom paint colours (up to 3 colours per cab)

## DEALER FIT OPTIONAL EQUIPMENT

Rear engine PTO	343 Nm torque capacity @ 120% engine speed 343 Nm torque capacity @ 85% engine speed
Transmission PTO	Specific to application refer to dealer
Cameras	Up to 3 additional cameras connected to the in-dash multimedia unit

## TYPICAL APPLICATIONS

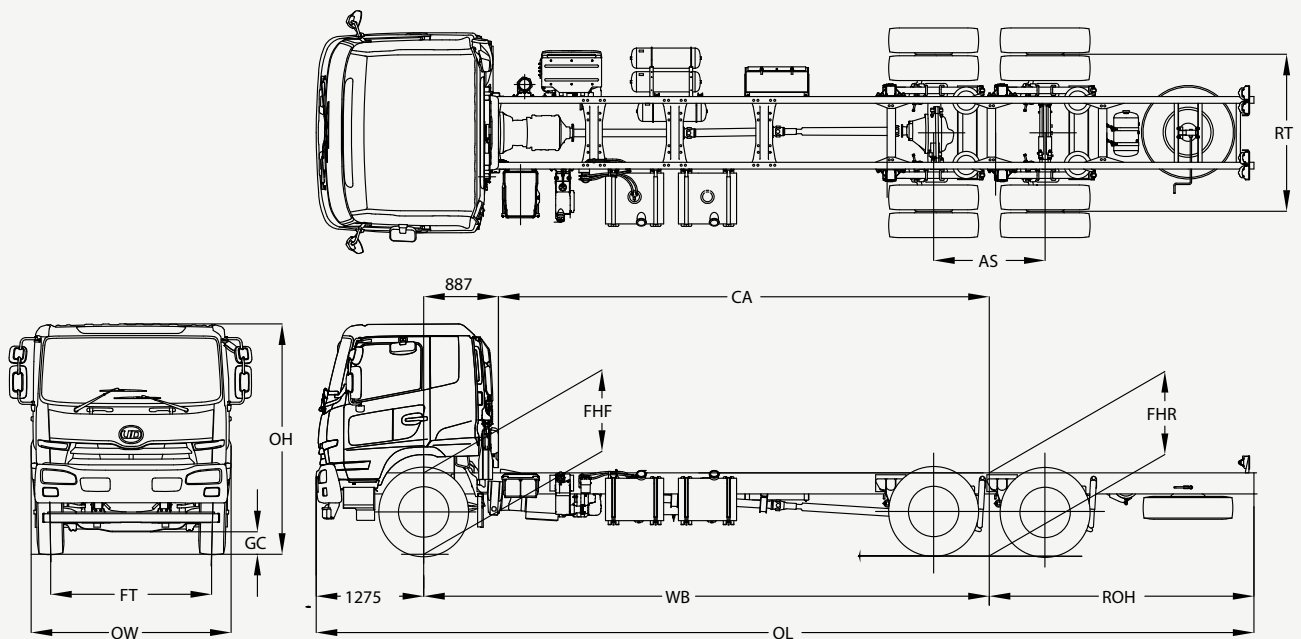


## GENERAL SPECIFICATIONS (Approximate)

Variant	Mass (kg)						Vehicle Dimensions (mm)													
	Wheelbase code	GVM*	GCM	FA <sup>1</sup>	RA <sup>1</sup>	Total Tare <sup>1</sup>	WB	OL	OW	OH <sup>2</sup>	FT	RT	AS	ROH	CA	GC <sup>2</sup>	FHF <sup>2</sup>	FHR <sup>2</sup>	FHR <sup>2</sup> (Lowered height)	UD model code
Automatic	V	23,500	28,000	3,270	3,405	6,675	6,710	11,125	2,472	2,734	1,934	1,860	1320	3,140	5,823	266	965	984	939	PD24280VAA
9-speed	V	23,500	28,000	3,190	3,320	6,510	6,710	11,125	2,472	2,734	1,934	1,860	1320	3,140	5,823	266	965	984	939	PD24280V9A

<sup>1</sup> Mass is an estimation only based on standard model, includes fluids (not diesel fuel or AdBlue®), Spare tyre carrier and spare, excludes tools and driver.

<sup>2</sup> Based on vehicle with standard 295/80R 22.5" front and 11R 22.5" rear tyres.



Note: PD 24 280 photo and drawing shown, may not be representative of actual truck

## PERFORMANCE (Calculated)

	6 speed Allison automatic with 6.166 diff ratio and 11R 22.5" tyres	9 speed Eaton manual with 4.333 diff ratio and 11R 22.5" tyres
Maximum road speed	100km/hr	100km/hr
Gradeability 1st gear	31.1.8% @ 23,500 kg	37.9% @ 23,500 kg
Gradeability top gear	1.7% @ 23,500 kg	2.1% @ 23,500 kg
Est rpm @ 100 km/h	2,104 rpm	2,246 rpm

## WARRANTY

Standard warranty+	36 months/200,000 kms	+ For details refer to <a href="http://udtrucks.com.au">udtrucks.com.au</a>
Cab corrosion warranty+	36 months/unlimited kms	++Covers selected items only. For details refer to <a href="http://udtrucks.com.au">udtrucks.com.au</a>
Optional Extended warranty++	60 months/350,000 kms	

NOTES: \*Rated GVM and axle capacities are subject to Federal, State and Territory legal requirements.

[udtrucks.com.au](http://udtrucks.com.au)

DISCLAIMER: Imported and distributed by Volvo Group Australia Pty Ltd (ABN: 27 000 761 259). Photos for illustration purposes. Volvo Group Australia Pty Ltd reserves the right to modify design and change equipment without previous notification. Please consult with your UD Trucks Dealer for the latest information about vehicle specifications.

ISSUE DATE  
JAN 2017